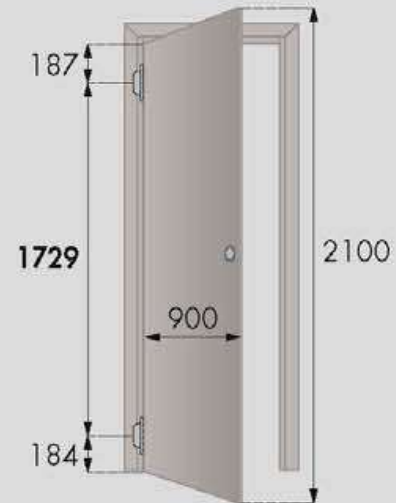


INSTALLATION EXAMPLES

2 HINGES

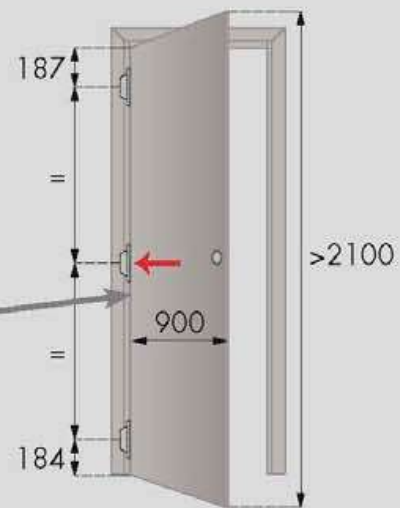
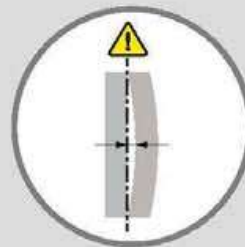
Standard position indications



3 HINGES

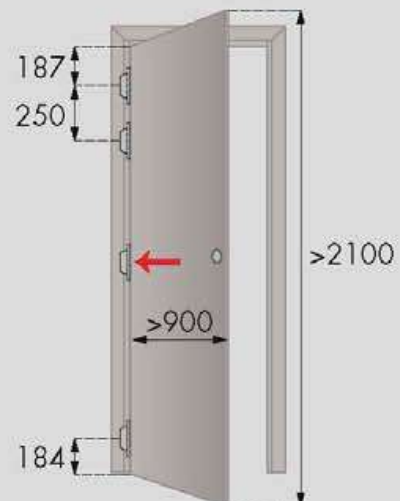
The central hinge maintains the straightness of the door leaf, i.e. it prevents it from bending in case of:

- 1 - Doors higher than 2100 mm
- 2 - Humid environment
- 3 - Light materials and/or thin doors
- 4 - Separated areas with different temperatures



4 HINGES


For higher / wider / heavier doors and/or for high frequency use (eg public places such as schools, hospitals, airports, etc.)

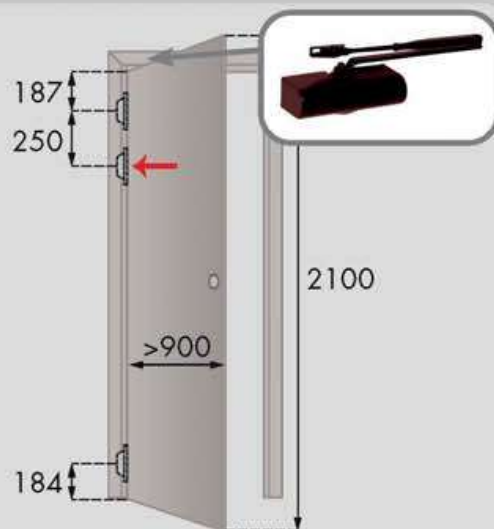


EXAMPLES OF INSTALLATION WITH ACCESSORIES

With an overhead door closer 3 HINGES


For applications with a door closer and in case of the door widths over 900 mm, it is suggested to fit the third hinge in the upper part of the door (consult the capacity table for each model)

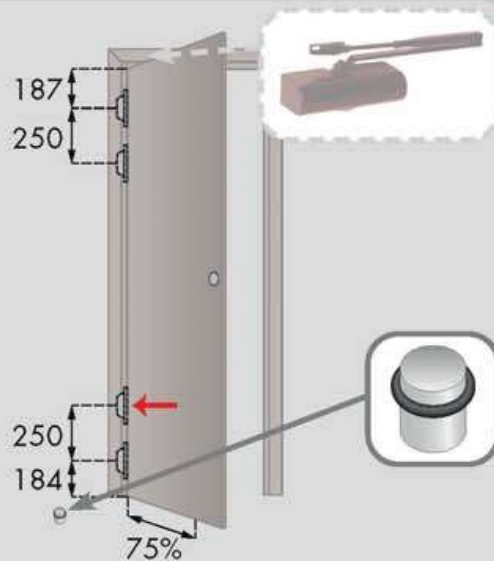
 The door closer adjustment must be as slight as possible but sufficient for its functioning. The major force could affect the hinges.



With a doorstop 4 HINGES

For doors with a door closer or higher / wider / heavier doors and for high frequency use / (eg public places such as schools, hospitals, airports, etc.) and / or where accessories are installed such as doorstops, weatherstrips or gaskets and seals

 The doorstop is installed as far from the hinge axle as possible; We suggest the distance of about 75% of the door width towards the lock.



With weatherstrips 4 HINGES

The position of the 4 hinges with a door closer and weatherstrips or any other sealing accessory

