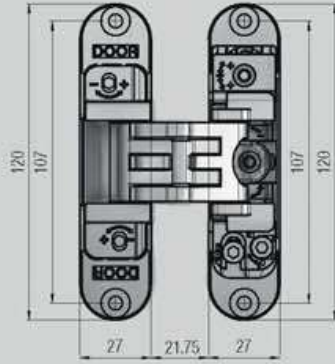


KUBICA KUBICA 2.7

K2700

PATENTED



Version
ZAMAK

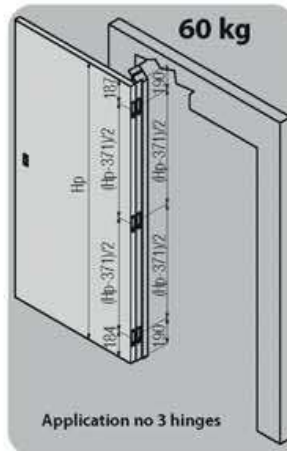
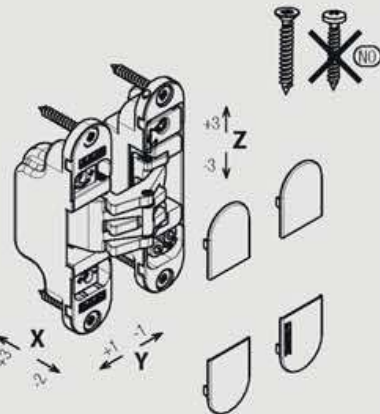
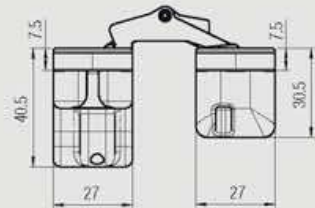
Finishing

min. 35 mm
max 45 mm

Adjustments

60 kg
(3 hinges)

180°



K2700 - 60 Kg - N° 3 hinges												
2000	60	60	60	60	60	59	57	54	52	50	48	
1950	60	60	60	60	60	58	55	53	51	49	47	
1900	60	60	60	60	60	59	56	54	52	49	46	
1850	60	60	60	60	60	58	55	52	50	48	44	
1800	60	60	60	59	56	54	51	49	47	45	43	
1750	60	60	60	57	55	52	50	47	46	44	42	
1700	60	60	59	56	53	51	48	46	44	42	41	
1650	60	60	57	54	52	49	47	45	43	41	40	
1600	60	60	55	53	50	48	45	43	42	40	38	
1550	60	60	54	51	48	46	44	42	40	39	37	
1500	60	59	52	49	47	45	43	41	39	37	36	
1450	60	57	50	48	45	43	41	39	38	36	35	
1730	60											
	900	700	800	900	950	1000	1050	1100	1150	1200	1250	1300
	Door width (mm)**											

- Tested on doors: thickness 35-45 mm - height 2100 mm - width 900 mm - opening angle 0°-90°.

**With a door leaf height over 2100 mm, width over 900 mm and/or applied accessories, consult "INSTALLATION EXAMPLES".

- The application of the concealed hinges combined with other devices (door closers, bumpers, anti panic handles) has to be tested by the client.