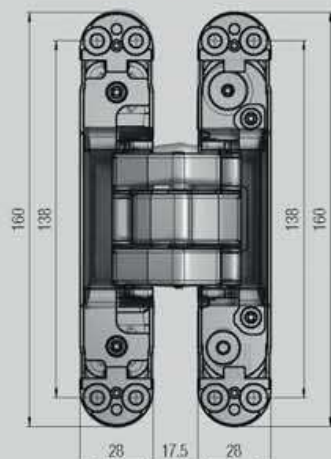


Atomika KARAKTER K8080

PATENTED

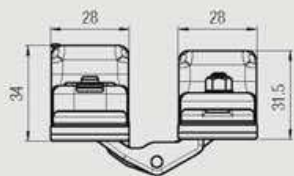


Version STEEL	Finishing 	 min. 36 mm	Adjustments
-------------------------	---------------	----------------	-----------------

 80 kg (2 hinges) 100 kg (3 hinges)	 180°	 Fixing screws	
---	----------	-------------------	--

ift Product Quality
N° 19-000993-PR01 - 18/06/2019
Multi-axis, concealed hinges
EAD 020001-01-0409
Reg.-N°: 9000283

CE 0757
Krona K8080 SpA
Via Romero, 1
47853 Cesena
21
ETA-20/0491
3 7 4 1 1 4 0 11
HINGES DO NOT CONTAIN
HARMFUL SUBSTANCES
ATOMIKA K8080



UL LISTED DOOR HINGE RZ7182
ULC LISTED HINGES RZ7182

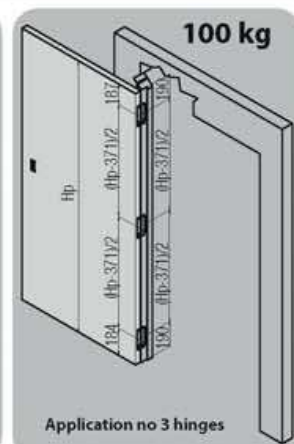
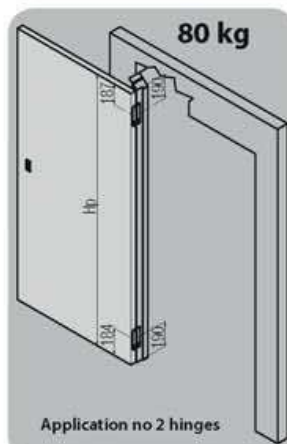
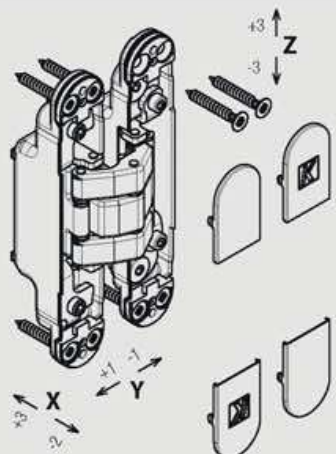
UNI EN 1634-1:2018

60 min.
PRODUCT: ATOMIKA KARAKTER K8080
TESTED BY: **CSI**
TEST REPORT N. 0126\DC\RFM119

Warning! The hinge fastening is only guaranteed the application of the adapters provided with it

EN1634-1:2018
BS476-22:1987

120 min.



Hinge spacing (mm)**	80	80	80	80	80	80	80	80	80	80	77	74
2000	80	80	80	80	80	80	80	80	80	80	77	74
1950	80	80	80	80	80	80	80	80	80	78	75	72
1900	80	80	80	80	80	80	80	80	79	76	73	70
1850	80	80	80	80	80	80	80	80	77	74	71	68
1800	80	80	80	80	80	80	80	79	75	72	69	67
1750	80	80	80	80	80	80	77	73	70	67	65	63
1700	80	80	80	80	80	78	74	71	68	65	63	61
1650	80	80	80	80	79	76	72	69	66	63	61	59
1600	80	80	80	80	77	73	70	67	64	62	59	57
1550	80	80	80	78	75	71	68	65	62	60	57	56
1500	80	80	80	76	72	69	66	63	60	58	56	54
1450	80	80	78	73	70	66	63	61	58	56	54	
1540	80											
	926	700	800	900	950	1000	1050	1100	1150	1200	1250	1300

Hinge spacing (mm)**	100	100	100	100	100	99	95	90	87	83	80	
2000	100	100	100	100	100	99	95	90	87	83	80	
1950	100	100	100	100	100	97	92	88	85	81	78	
1900	100	100	100	100	99	94	90	86	82	79	76	
1850	100	100	100	100	96	92	87	84	80	77	74	
1800	100	100	100	99	94	89	85	81	78	75	72	
1750	100	100	100	96	91	87	83	79	76	73	70	
1700	100	100	98	93	88	84	80	77	74	71	68	
1650	100	100	95	90	86	82	78	75	72	69	66	
1600	100	100	92	88	83	79	76	72	69	67	64	
1550	100	100	90	85	81	77	73	70	67	65	62	
1500	100	98	87	82	78	74	71	68	65	62	60	
1450	100	94	84	79	75	72	69	66	63	60	58	
1730	100											
	900	700	800	900	950	1000	1050	1100	1150	1200	1250	1300

- Tested on doors: thickness min. 40 mm - height 2100 mm - width 900 mm - opening angle 0°-90°.
 **With a door leaf height over 2100 mm, width over 900 mm and/or applied accessories, consult "INSTALLATION EXAMPLES".
 - The application of the concealed hinges combined with other devices (door closers, bumpers, anti panic handles) has to be tested by the client.