

Flat striking plate no. 296

angled

Standard - flat striking plate with latch bolt aperture and dead bolt cutout.

The advantages at a glance

- Prepared for bolt switch contact 875

Technical attributes	
Length	250 mm
Width	25 mm
Thickness	3 mm
Dead bolt cutout	Yes
Keep guide	No

Surface	DIN direction	Order no.
35 Stainless steel	4 Left	-----29635-04
35 Stainless steel	5 Right	-----29635-05

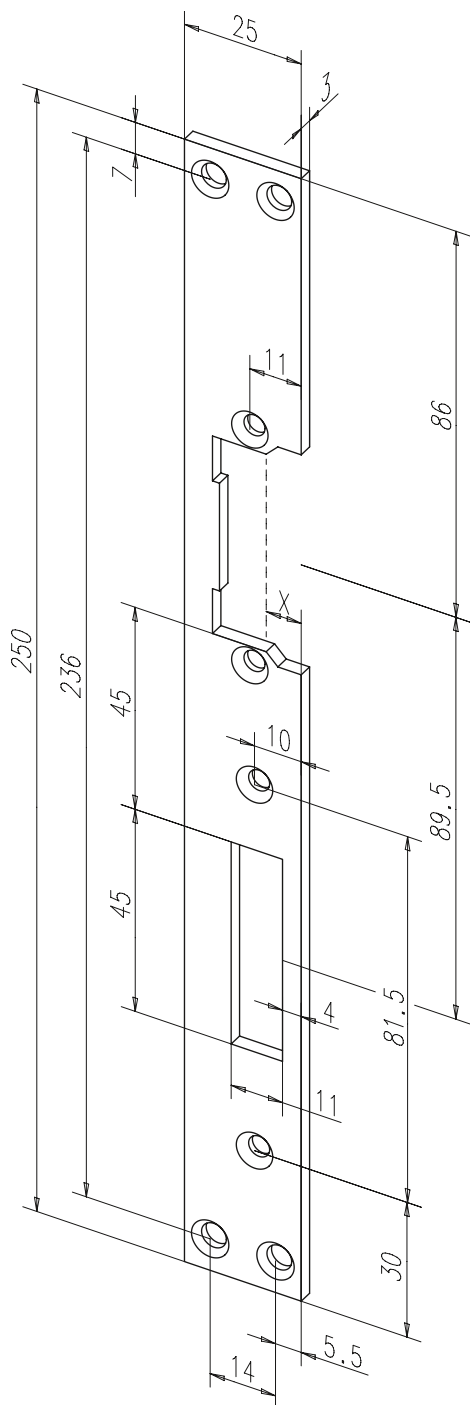
Current strike strike-plate combinations

Model	Order no.	
14A	14A---296	** ***
17	17---296	** ***
116	116---296	** ***
17RR	17RR---296	** ***
116RR	116RR--296	** ***
342U	342U---296	** ***
342URR	342URR-296	** ***

** = Surface

*** = voltage variant and DIN-direction

The calculation of the X-dimension can be found on page 6.



Contact pour pêne dormant 875-10-----00